

Easement

——创造安全便利和放心



HD-8350E

包装箱检针机

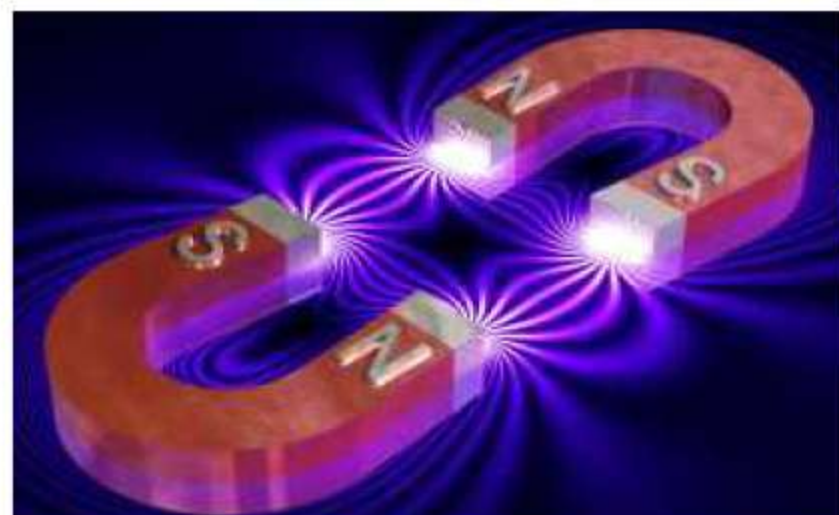
Packing box needle detector

产品用途 (Product usage)

HD-8350E检针机适用于成品包装箱检测，主要检测打包时遗留在成品箱内的剪刀、美工刀片及其它较大铁磁性金属杂质。

HD-8350E is specially used in detecting the products which are wrapped up, and detects the scissors, wire nails, and other magnetic metal impurities in the packing box.





超强磁场
Strong magnetic



数码显示器
Digital monitor



节能显示
Energy-saving display



LED断针位置指示灯
LED broken needle position lamp



自动输送防偏保护装置
Protective device against side
running of conveyor belt




防错显示
Fail-safe display

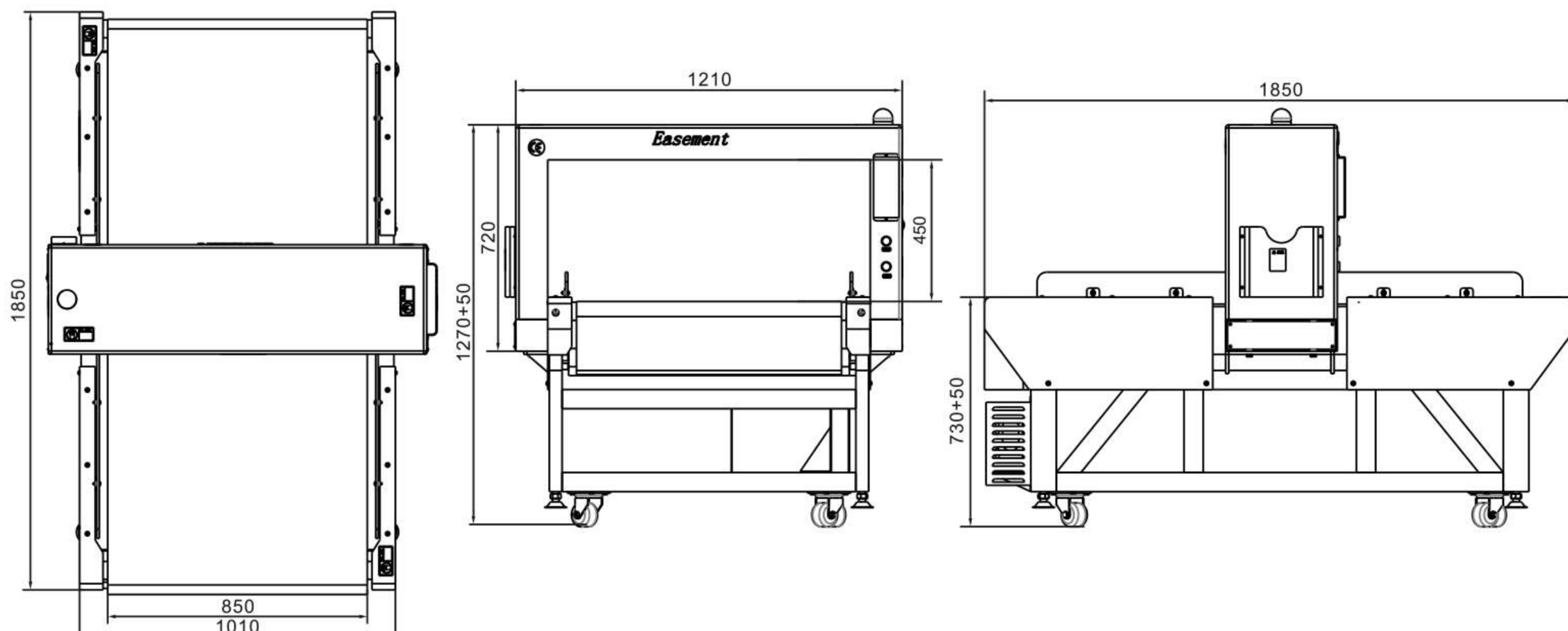
产品特点

- ◆ 采用自动补偿增益高精度传感器，使检测能力更强和检测更加可靠，确保在检测通道范围内无盲区。循环强磁场回路设计，抑制外界干扰效果更好。
获得专利号:ZL200620045048.5
The detecting ability is more strong and detection is more reliable by adopting the auto-compensation high-precision, so that there is non-blind area in the detecting area. The loop strong magnetic design make the anti-jamming ability is stronger than before.
Invention patent number:ZL200620045048.5
- ◆ 数码显示器，能自动显示合格数量、不良品数量及总数量。
The digital monitor, can show passing number, not qualified number and total number.
- ◆ 有自动节能功能，当运行的机器没有检测到衣物或无人操作，机器将会自动停止运行。
When the needle detector doesn't detect the garments for some time, it will be stopped working by the auto energy-saving technology.
- ◆ 运用LED断针位置指示，将衣物从X、Y两个方向检测，能及时找出断针所在位置。
Detecting the garments from X axis to Y axis by the use of LED broken needle position indicator, to identify the position for the broken needle.
- ◆ 有自动输送带防偏保护装置,无需担心输送带跑偏。
The protective device against side running of conveyor belt, makes the conveyor belt not leave the normal track .
- ◆ 有智能启动功能,无需频繁按启动开关,延长机器使用寿命。
Be equipped with intelligent starting device avoid pressing start switch frequently, so that prolong the life of machine.
- ◆ 具有操作不当的防错功能，使操作更加规范。
Making the operation more normalized by the fail-safe of improper operation.

技术参数(Specification):

产品图片 Pictures of products	
产品型号 Model	HD-8350E
检测方式 Detecting method	磁感应式 Magnetic induction
检测宽度 Detecting width	800mm
检测高度 Detecting height	460mm
检测能力 Detecting ability	铁球Φ12.0mm FeΦ12.0mm iron ball
报警方式 Alarm method	蜂鸣、报警灯 Buzzer, alarm lamp
运行速度 Belt speed	(Appr.) 40m/min
电源电压 Power supply	AC220V,50Hz or AC110V 60Hz
消耗功率 Rated output	230W
环境温度 Temperature	0-40°C
环境湿度 Humidity	10%-90% (非凝结) Non-condensing
重量 Weight	(Appr.) 450Kg.
可选件 Option	打印机、用户管理权限 Printer, administration authority

外型尺寸(Dimension):



Easement

——创造安全便利和放心

实例(Example):



Contact