

BRUCE 布鲁斯

BRC-
6390E

双同步电脑厚料平缝机

Top&Bottom Feeding Computerized Lockstitch
Machine for Heavy Duty



怕跳针 · 怕断线 · 就用布鲁斯
NO BREAK · NO SKIP



怕跳针 · 怕断线 · 就用布鲁斯
NO BREAK · NO SKIP

**BRC-
6390E**

品名：双同步电脑厚料平缝机
Top&Bottom Feeding Computerized Lockstitch Machine for Heavy Duty



穿刺能力强

Strong feeding, high efficiency

可一次性缝制10层以上皮革仍然保持完美线迹。
Beautiful stitches for 10 layer of leather.



倒缝完全重针

Stable for reverse stitch

倒缝完全重针，线迹美观，良品率高。
Stable for reverse stitch, beautiful stitch, good quality.

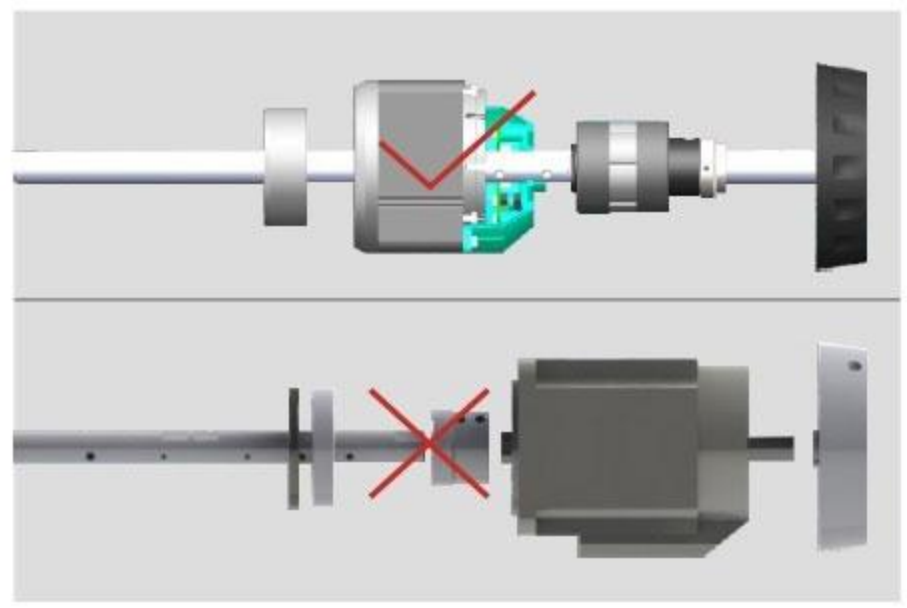


一键还原、操作无忧

One key to factory reset

用户可根据需要恢复到自行设定的参数或出厂参数，更加人性化，不必为误操作而烦恼。

Users can reset to their own parameters and factory parameters, more humanization, no need to worry about wrong operation.

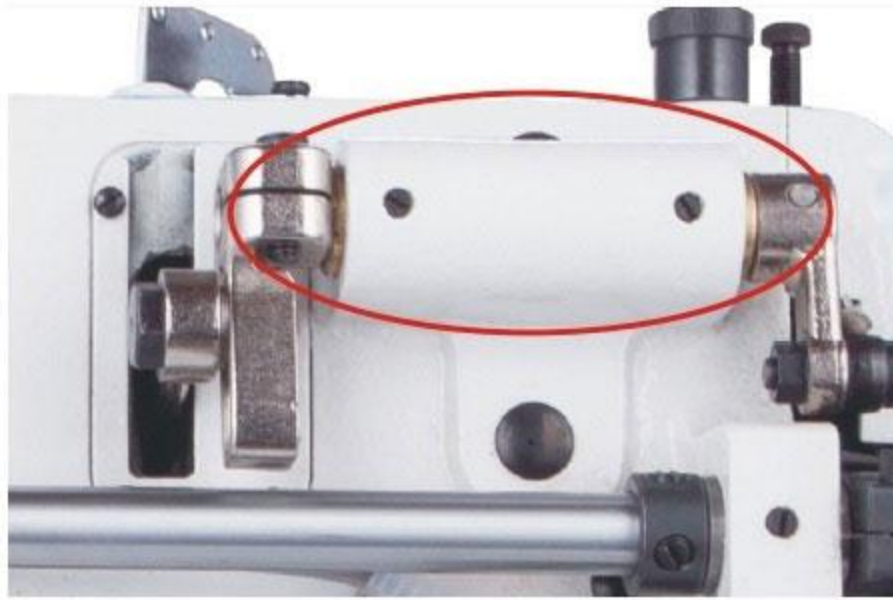


一轴贯通、稳定轻快

Coaxial driving, Stable and fast

降低整机力矩，运行稳定，缝纫轻快，更加耐用。

Reduce energy loss, make the machine running fast, stable and durable.



无油无虑，清洁耐久

Sealed shaft, no oil no trouble

压脚提升轴密封式设计，无需机油润滑，无油污烦恼。

Sealed presser foot lifter shaft, oil free with imported solid grease lubrication.



自动抬压脚，效率高

Auto presser foot lifter (optional)

可选配四自动，可自动抬压脚，出活效率更高。

High efficiency with auto presser foot lifter.

技术参数 Specification

										
				(mm)	(mm)	(S.p.m)		(mm)	NW/GW (kg)	
BRC-6390E-CZ-3	常规面料缝制 Normal Materials	DP ×17 20-23#	2	8	7.5-16	2200		725×285×580	40.5/43	
BRC-6390E-CZST-3	手套专用 Gloves, Handbag Etc.	DP ×17 14-17#	2	8	7.5-16	2200		725×285×580	40.5/43	
BRC-6390E-CZXB-3	箱包专用 Luggage	DP ×17 20-23#	2	8	7.5-16	2200		725×285×580	40.5/43	
BRC-6390E-CZZD-3	座垫专用 Car Seat, Swivel Chair	DP ×17 20-23#	2	8	7.5-16	2200		725×285×580	40.5/43	
BRC-6390E-CZ-4	常规面料缝制 Normal Materials	DP ×17 20-23#	2	8	7.5-16	2200	●	725×285×580	43.5/46	
BRC-6390B-CZ	常规面料缝制 Normal Materials	DP ×17 20-23#	2	8	7.5-16	2200		725×285×580	37.5/40	
BRC-6390B-CZ-12	大针距缝制 Sofa, Car Seat, Curtain Etc.	DP ×17 20-23#	2	12	7.5-16	2200		725×285×580	37.5/40	
BRC-6390B-CZST	手套专用 Gloves, Handbag Etc.	DP ×17 14-17#	2	8	7.5-16	2200		725×285×580	37.5/40	
BRC-6390B-CZXB	箱包专用 Luggage	DP ×17 20-23#	2	8	7.5-16	2200		725×285×580	37.5/40	
BRC-6390B-CZZD	座垫专用 Car Seat	DP ×17 20-23#	2	8	7.5-16	2200		725×285×580	37.5/40	

注：1.B为直驱款；2.E为电脑款；3.C代表国产旋梭；4.Z代表众邦电控。

Note: 1. B is direct drive type; 2. E is computerized; 3. C is Chinese hook; 4. Z is Zobow control box.

Contact